

designated according to Article 29 of the Regulation (EU) No 305/2011 and member of EOTA (European Organisation for Technical Assessment, [www.eota.eu](http://www.eota.eu))

## European Technical Assessment

**ETA 24/0642  
of 26/09/2024**

**Technical Assessment Body issuing the ETA and designated according to Article 29 of the Regulation (EU) No 305/2011: UL International (Netherlands) B.V.**

**Trade name of the construction product**

SOUDATRANSIT P FR

**Product family to which the construction product belongs**

Fire Stopping and Sealing Product:  
• Penetration Seals

**Manufacturer**

Soudal N.V.  
Everdongengenlaan 18-20  
Turnhout,  
Belgium

**Manufacturing plant(s)**

A/003

**This European Technical Assessment contains**

37 pages including 1 Annex which forms an integral part of this assessment.

**This European Technical Assessment is issued in accordance with regulation (EU) No 305/2011, on the basis of**

EAD 350454-00-1104, September 2017.

Translations of this European Technical Assessment in other languages shall fully correspond to the original issued document and should be identified as such.

Communication of this European Technical Assessment, including transmission by electronic means, shall be in full. However, partial reproduction may be made, with the written consent of the issuing Technical Assessment Body. Any partial reproduction has to be identified as such.

## **Table of Contents**

<b>I.</b>	<b>SPECIFIC PARTS OF THE EUROPEAN TECHNICAL ASSESSMENT .....</b>	<b>3</b>
1	Technical description of the product .....	3
2	Specification of the intended uses of the product in accordance with the applicable European Assessment Document (Hereinafter EAD): EAD 350454-00-1104: 2017.....	3
3	Performance of the product and references to the methods used for its assessment .....	5
4	ASSESSMENT AND VERIFICATION OF CONSTANCY OF PERFORMANCE (HEREINAFTER AVCP) SYSTEM APPLIED, WITH REFERENCE TO ITS LEGAL BASE .....	6
5	Technical details necessary for the implementation of the AVCP system, as provided for in the applicable EAD .....	6
6	Issued on:.....	7
	<b>ANNEX A – Resistance to Fire Classification – SOUDATRANSIT P FR .....</b>	<b>8</b>
A.1	Flexible or rigid wall constructions with wall thickness of minimum 75 mm .....	8
A.1.1	Penetration seals, in drywalls (min. 1 x 12.5 mm board per side) and concrete/masonry walls.....	8
A.2	Flexible or rigid wall constructions with wall thickness of minimum 100 mm .....	10
A.2.1	Penetration seals, in drywalls (min. 2 x 12.5 mm board per side) and concrete/masonry walls.....	10
A.2.2	Penetration seals, in 100 mm thick SOUDAL FIREBOARD1-S seals in drywalls (min. 2 x 12.5 mm board per side) and concrete/masonry walls.....	12
A.3	Flexible or rigid wall constructions with wall thickness of minimum 120 mm .....	15
A.3.1	Penetration seals, in drywalls (min. 2 x 15 mm board per side) and concrete/masonry walls.....	15
A.4	Rigid walls constructions with wall thickness of minimum 150 mm .....	17
A.4.1	Penetration seals in concrete/masonry walls .....	17
A.4.2	Penetration seals, in 150 mm thick SOUDAL FIREBOARD2-S seals (including 30 mm air gap) in concrete/masonry walls ....	19
A.5	Timber wall constructions with wall thickness of minimum 100 mm.....	20
A.5.1	Penetration seals in timber walls .....	20
A.6	Rigid floor constructions with thickness of minimum 150 mm .....	23
A.6.1	Penetration seals in concrete/masonry floors .....	23
A.6.2	Penetration seals, in 50 mm thick SOUDACOMPOUND FRseals (with 50 mm stone wool backer) in concrete/masonry floors	28
A.7	Timber floor constructions with floor thickness of minimum 150 mm .....	30
A.7.1	Penetration seals in timber floors .....	30
	<b>ANNEX B – Air Permeability – SOUDATRANSIT P FR.....</b>	<b>34</b>

## I. SPECIFIC PARTS OF THE EUROPEAN TECHNICAL ASSESSMENT

### 1 Technical description of the product

- 1) SOUDATRANSIT P FR is a cable & pipe box device used to form penetration seals where cables, plastic pipes, steel pipes and conduits penetrate walls and floors.
- 2) The SOUDATRANSIT P FR is supplied with intumescent liner complete within a single, or two part polypropylene or steel casing, to be closed around the services and inserted into the aperture in the supporting element. Services can be inserted through the product and removed after it has been installed.
- 3) The applicant has submitted a written declaration that the product and/or constituents of the product contains no substances which have been classified as dangerous according to Directive 67/548/EEC and Regulation (EC) No. 1272/2008 and listed in the 'indicative list on dangerous substances' of the EGDS – taking into account the installation conditions of the construction product and the release scenarios resulting from there.

In addition to the specific clauses relating to dangerous substances contained in this European Technical Assessment, there may be other requirements applicable to the products falling within its scope (e.g. transposed European legislation and national laws, regulations and administrative provisions). In order to meet the provisions of the Construction Products Regulation, these requirements need also to be complied with, when and where they apply.

- 4) The use category of SOUDATRANSIT P FR in relation to BWR 3 (Hygiene, health and environment) is IA1, S/W2.

### 2 Specification of the intended uses of the product in accordance with the applicable European Assessment Document (Hereinafter EAD): EAD 350454-00-1104: 2017

Detailed information and data is given in Annex A.

The intended use of system SOUDATRANSIT P FR is to reinstate the fire resistance performance of flexible wall, rigid wall and floor constructions, and timber wall and floor constructions, where they are penetrated by services.

- 1) The specific elements of construction that the system SOUDATRANSIT P FR may be used to provide a penetration seal in, are as follows:

- |                 |  |
|-----------------|--|
| Flexible walls: | The wall must have a minimum thickness of 75 mm and comprise steel or timber studs* lined on both faces with minimum 1 layer of 12.5 mm thick boards. Flexible wall solutions may also be used in rigid walls, with a minimum density of 350 kg/m <sup>3</sup> . |
| Rigid walls:    | The wall must have a minimum thickness of 75 mm and comprise concrete, aerated concrete or masonry, with a minimum density of 650 kg/m <sup>3</sup> .  |
| Timber walls:   | The wall must have a minimum thickness of 100 mm and comprise solid wood or cross-laminated timber   |
| Rigid floors:   | The floor must have a minimum thickness of 150 mm and comprise aerated concrete or concrete with a minimum density of 650 kg/m <sup>3</sup> .  |
| Timber floors:  | The floor must have a minimum thickness of 150 mm and comprise solid wood or cross-laminated timber.   |

\* no part of the penetration seal may be closer than 100 mm to a stud, the cavity must be closed between the penetration seal and the stud, and minimum 100 mm of insulation of class A1 or A2 according to EN 13501-1 must be provided within the cavity between the penetration seal and the stud.

The supporting construction must be classified in accordance with EN 13501-2 for the required fire resistance period.

- 2) The system Soudatransit P FR may be used to provide a penetration seal with specific supporting constructions and substrates (for details see Annex A).
- 3) Where PVC pipes are mentioned in Annex A, this includes PVC-U, PVC-C and similar if the pipe is according to EN 1329-1, EN 1452-2, EN 1453-1<sup>^</sup> and EN 1566-1. Where PP pipes are mentioned in Annex A, this includes PP-MV, PP-H, PP-R and similar if the pipe is according to EN 1451-1 or DIN 8077/8078. Where PE pipes are mentioned, this includes PE-LD, PE-MD, PE-HD, PE-X and similar according to EN 1519-1, EN 12201-2 or EN 12666-1.
- 4) The provisions made in this European Technical Assessment are based on an assumed working life of the Soudatransit P FR of 25 years, provided that the conditions laid down in the manufacturer's datasheet and instructions for the packaging/transport/storage/installation/use/repair are met. The indications given on the working life cannot be interpreted as a guarantee given by the producer, but are to be regarded only as a means for choosing the right products in relation to the expected economically reasonable working life of the works.
- 5) Type Z<sub>2</sub>: intended for use at internal conditions with humidity classes other than Z<sub>1</sub>, excluding temperatures below 0°C.

### 3 Performance of the product and references to the methods used for its assessment

Product-type: Pipe SOUDATRANSIT P FR		Intended use: Penetration Seal
Basic requirement for construction work	Basic Requirement	Performance
<b>BWR 2 Safety in case of fire</b>		
EN 13501-1	Reaction to fire	Performance not assessed
EN 13501-2	Resistance to fire	Annex A
<b>BWR 3 Hygiene, health and environment</b>		
EN 1026	Air permeability	Annex B
EAD 350454-00-1104, Annex C	Water permeability	No performance determined
Declaration of manufacturer & EN 16516	Content, emission and/or release of dangerous substances	Use categories: IA1, S/W2 Declaration of manufacturer
<b>BWR 4 Safety in use</b>		
EOTA TR 001:2003	Mechanical resistance and stability	No performance determined
EOTA TR 001:2003	Resistance to impact/movement	No performance determined
EOTA TR 001:2003	Adhesion	No performance determined
EAD 350454-00-1104, Clause 2.2.9	Durability	Z <sub>2</sub>
<b>BWR 5 Protection against noise</b>		
EN 10140-1,2,4,5/ EN ISO 717-1	Airborne sound insulation	No performance determined
<b>BWR 6 Energy economy and heat retention</b>		
EN 12664, EN 12667, EN 12939, EN ISO 8990, EN ISO 6946, EN ISO 14683, EN ISO 10211, EN ISO 10456	Thermal properties	No performance determined
EN ISO 12572, EN 12086, EN ISO 10456	Water vapour permeability	No performance determined

**4 ASSESSMENT AND VERIFICATION OF CONSTANCY OF PERFORMANCE (HEREINAFTER AVCP) SYSTEM APPLIED, WITH REFERENCE TO ITS LEGAL BASE**

According to the decision 1999/454/EC – Commission Decision of date 22nd June 1999 on the procedure for attesting the conformity of construction products pursuant to Article 20(2) of Council Directive 89/106/EEC as regards fire stopping, fire sealing and fire protective products, published in the Official Journal of the European Union (OJEU) L178/52 of 14/07/1999, (see <https://eur-lex.europa.eu/oj/direct-access.html>) of the European Commission, as amended, the system(s) of assessment and verification of constancy of performance (see Annex V to Regulation (EU) No 305/2011) given in the following table(s) applies (apply).

<b>Product(s)</b>	<b>Intended use(s)</b>	<b>Level(s) or class(es)</b>	<b>System(s)</b>
Fire stopping and Fire Sealing Products	For fire compartmentation and/or fire protection or fire performance	Any	1

**5 Technical details necessary for the implementation of the AVCP system, as provided for in the applicable EAD**

**Tasks of the manufacturer:**

**Factory production control**

The manufacturer shall exercise permanent internal control of production. All the elements, requirements and provisions adopted by the manufacturer shall be documented in a systematic manner in the form of written policies and procedures, including records of results performed. This production control system shall ensure that the product is in conformity with this European Technical Assessment.

The manufacturer may only use initial / raw / constituent materials stated in the technical documentation of this European Technical Assessment.

The factory production control shall be in accordance with the Control Plan of 25<sup>th</sup> June 2024 relating to the European Technical Assessment ETA 24/0642 issued on 26/09/2024 which is part of the technical documentation of this European Technical Assessment. The "Control Plan" is laid down in the context of the factory production control system operated by the manufacturer and deposited at UL International (Netherlands) B.V.

The results of factory production control shall be recorded and evaluated in accordance with the provisions of the Control Plan.

**Other tasks of the manufacturer:**

Additional information

The manufacturer shall provide a technical data sheet and an installation instruction with the following minimum information:

(a) Technical data sheet:

- Field of application:
- Building elements for which the penetration seal is suitable, type and properties of the building elements like minimum thickness, density, and - in case of lightweight constructions – the construction requirements.
- Limits in size, minimum thickness etc. of the penetration seal
- Construction of the penetration seal including the necessary components and additional products (e.g. backfilling material) with clear indication whether they are generic or specific.
- Services which the penetration seal is suitable, type and properties of the services like material, diameter, thickness etc. in case of pipes including insulation materials; necessary/allowed supports/fixings (e.g. pipe trays)

(b) Installation instruction:

- Steps to be followed
- Procedure in case of retrofitting
- Stipulations on maintenance, repair and replacement

**6 Issued on:**

**26 September 2024**

Report by:



D. Yates  
Staff Engineer  
Built Environment

Verified by:



C. Sweeney  
Project Engineer  
Built Environment

Validated by:



Erik Teubler  
Head of TAB  
Built Environment

For and on behalf of UL International (Netherlands) B.V.

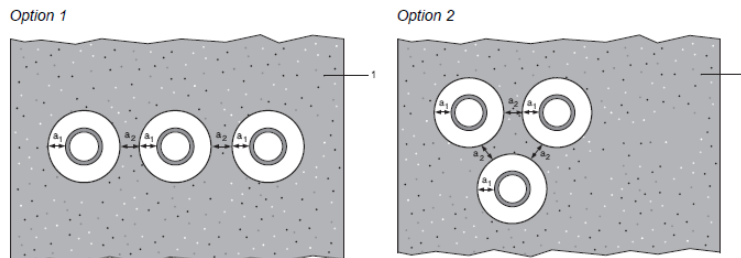
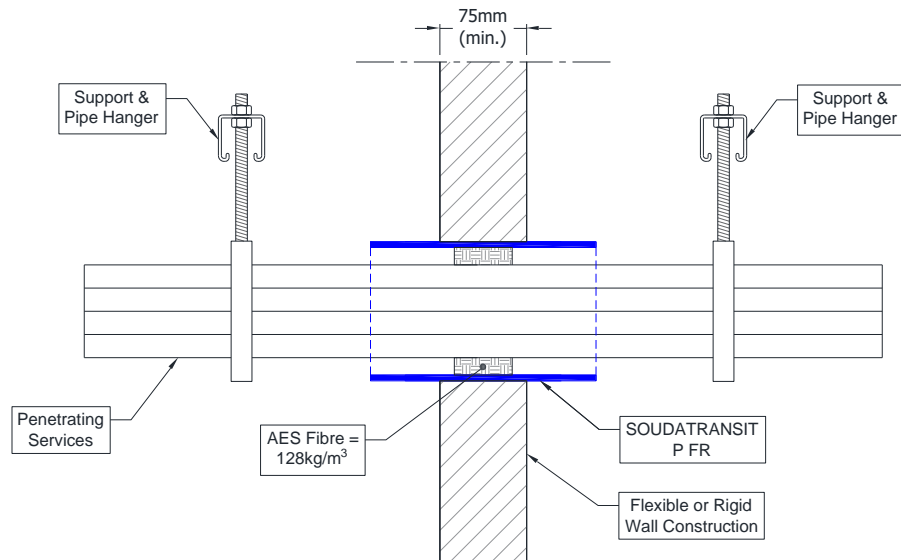
# ANNEX A – Resistance to Fire Classification – SOUDATRANSIT P FR

## A.1 Flexible or rigid wall constructions with wall thickness of minimum 75 mm

### A.1.1 Penetration seals, in drywalls (min. 1 x 12.5 mm board per side) and concrete/masonry walls

**Penetration Seal:** Cables, pipes and conduits fitted with minimum 150 mm long SOUDATRANSIT P FR, central within the wall. Spaces around cables, pipes and conduits within the device are sealed with 50 mm deep AES Fibre  $\geq 128\text{kg/m}^3$  installed centrally. Min. Separation between seals ( $a_2$ ) = 30 mm, min. Separation between transit and supporting construction ( $a_1$ ) = 0 mm.

Construction details:



**Key**  
 1 Supporting construction  
 $a_1$  Pipe / edge of seal separation (annular space)  
 $a_2$  Separation between penetration seals

Figure E.2 — Standard configuration for single pipe penetration seals

**A.1.1.1**

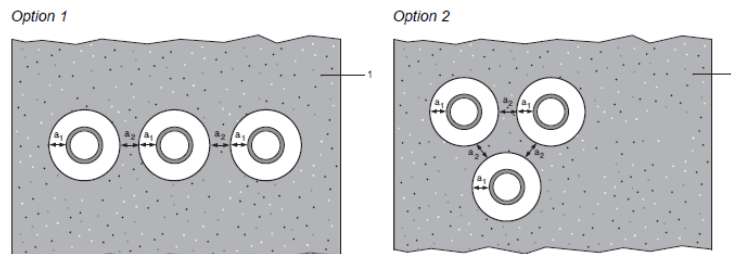
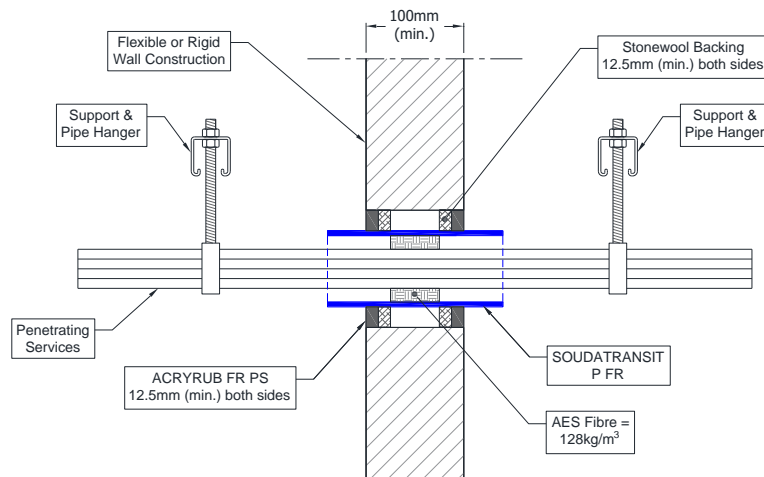
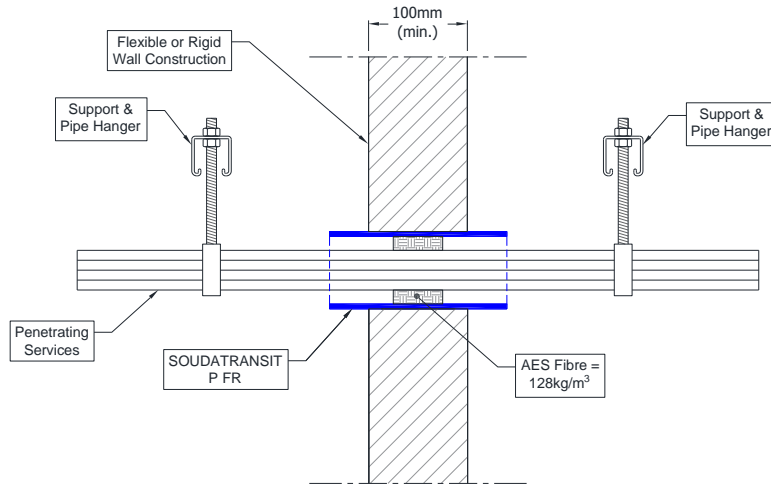
<b>Services</b>	<b>Inlay size</b>	<b>Transit size</b>	<b>Classification</b>
Up to 35 mm diameter bundle of cables up to 21 mm diameter	1.5 mm thick by 150 mm long	40 mm Ø x 150 mm long	<b>EI 60</b>
Up to 50 mm diameter bundle of cables up to 21 mm diameter	2.0 mm thick by 150 mm long	63 mm Ø x 150 mm long	
Up to 80 mm diameter bundle of cables up to 21 mm diameter	4.0 mm thick by 150 mm long	90 mm Ø x 150 mm long	
Up to 100 mm diameter bundle of cables up to 21 mm diameter	4.5 mm thick by 150 mm long	110 mm Ø x 150 mm long	
Up to 100 mm diameter bundle of cables up to 80 mm diameter	All inlay sizes specified above	All transit sizes specified above	<b>E 60</b> <b>EI 45</b>
Empty filled at mid-depth with 50 mm deep plug of AES Fibre $\geq 128\text{kg/m}^3$			<b>E 60</b> <b>EI 30</b>
Up to 32mm diameter plastic pipes in bundle, empty or with penetrating bundle of cables up to 14 mm diameter			<b>EI 60 U/C</b>

## A.2 Flexible or rigid wall constructions with wall thickness of minimum 100 mm

### A.2.1 Penetration seals, in drywalls (min. 2 x 12.5 mm board per side) and concrete/masonry walls

**Penetration Seal:** Cables, pipes and conduits fitted with minimum 250 mm long SOUDATRANSIT P FR, central within the wall. Spaces around cables, pipes and conduits within the device are sealed with 50 mm deep AES Fibre  $\geq 128\text{kg/m}^3$  installed centrally. Min. Separation between seals ( $a_2$ ) = 30 mm, min. Separation between transit and supporting construction ( $a_1$ ) = 0 mm A.2.1.1 and minimum 10 mm with maximum aperture 300 x 300mm A.2.1.2.

Construction details:



- Key**
- 1 Supporting construction
  - $a_1$  Pipe / edge of seal separation (annular space)
  - $a_2$  Separation between penetration seals

Figure E.2 — Standard configuration for single pipe penetration seals

### A.2.1.1 SOUDATRANSIT P FR friction fitted into wall

Services	Inlay size	Transit size	Classification
Up to 35 mm diameter bundle of cables up to 21 mm diameter	1.5 mm thick by 210 mm long	40 mm Ø x 250 mm long	EI 90
Up to 35 mm diameter bundle of cables up to 35 mm diameter	1.5 mm thick by 210 mm long	40 mm Ø x 250 mm long	E 90 EI 60
Up to 50 mm diameter bundle of cables up to 21 mm diameter	2.0 mm thick by 210 mm long	63 mm Ø x 250 mm long	EI 90
Up to 50 mm diameter bundle of cables up to 50 mm diameter	2.0 mm thick by 210 mm long	63 mm Ø x 250 mm long	E 90 EI 60
Up to 80 mm diameter bundle of cables up to 21 mm diameter	4.0 mm thick by 210 mm long	90 mm Ø x 250 mm long	EI 90
Up to 80 mm diameter bundle of cables up to 80 mm diameter	4.0 mm thick by 210 mm long	90 mm Ø x 250 mm long	E 90 EI 60
Up to 100 mm diameter bundle of cables up to 21 mm diameter	4.5 mm thick by 210 mm long	110 mm Ø x 250 mm long	EI 90
Up to 100 mm diameter bundle of cables up to 80 mm diameter	4.5 mm thick by 210 mm long	110 mm Ø x 250 mm long	E 90 EI 60
Empty filled at mid-depth with 50 mm deep plug of AES Fibre $\geq 128\text{kg/m}^3$	All inlay sizes specified above	All transit sizes specified above	E 90 EI 60
Up to 32mm diameter plastic pipes in bundle, empty or with penetrating bundle of cables up to 21 mm diameter			EI 90 U/C

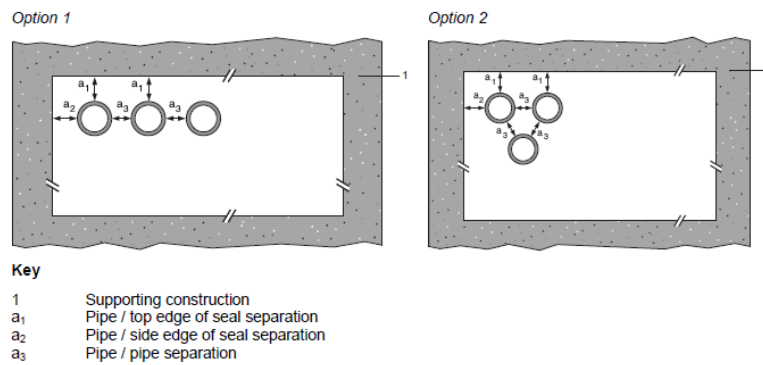
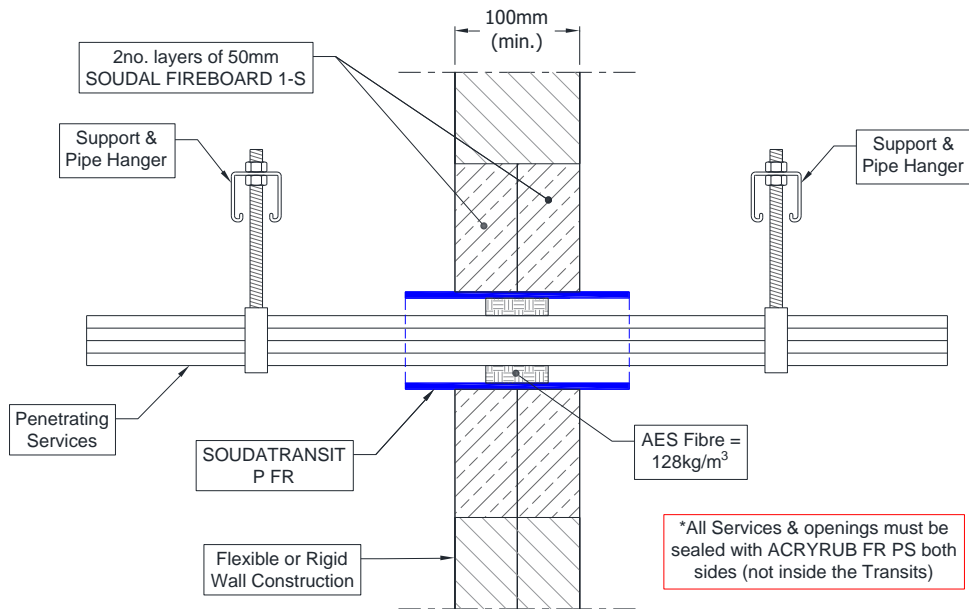
### A.2.1.2 SOUDATRANSIT P FR in minimum 20 mm oversize aperture fitted with ACRYRUB FR PS.

Services	Inlay size	Transit size	Classification
Up to 35 mm diameter bundle of cables up to 21 mm diameter	1.5 mm thick by 210 mm long	40 mm Ø x 250 mm long	EI 90
Up to 35 mm diameter bundle of cables up to 35 mm diameter	1.5 mm thick by 210 mm long	40 mm Ø x 250 mm long	E 90 EI 60
Up to 50 mm diameter bundle of cables up to 21 mm diameter	2.0 mm thick by 210 mm long	63 mm Ø x 250 mm long	EI 90
Up to 50 mm diameter bundle of cables up to 50 mm diameter	2.0 mm thick by 210 mm long	63 mm Ø x 250 mm long	E 90 EI 60
Up to 80 mm diameter bundle of cables up to 21 mm diameter	4.0 mm thick by 210 mm long	90 mm Ø x 250 mm long	EI 90
Up to 80 mm diameter bundle of cables up to 80 mm diameter	4.0 mm thick by 210 mm long	90 mm Ø x 250 mm long	E 90 EI 60
Up to 100 mm diameter bundle of cables up to 21 mm diameter	4.5 mm thick by 210 mm long	110 mm Ø x 250 mm long	EI 90
Up to 100 mm diameter bundle of cables up to 80 mm diameter	4.5 mm thick by 210 mm long	110 mm Ø x 250 mm long	E 90 EI 60
Empty filled at mid-depth with 50 mm deep plug of AES Fibre $\geq 128\text{kg/m}^3$	All inlay sizes specified above	All transit sizes specified above	EI 90
Up to 32mm diameter plastic pipes in bundle, empty or with penetrating bundle of cables up to 21 mm diameter			EI 90 U/C

**A.2.2 Penetration seals, in 100 mm thick SOUDAL FIREBOARD 1-S seals in drywalls (min. 2 x 12.5 mm board per side) and concrete/masonry walls**

**Penetration Seal:** Cables, pipes and conduits fitted with minimum 250 mm long SOUDATRANSIT P FR, central within the seal. Spaces around cables, pipes and conduits within the device are sealed with 50 mm deep AES Fibre  $\geq 128\text{kg/m}^3$  installed centrally. Min. Separation between transits and between transits and the edges of the board seal ( $a_1$ ,  $a_2$ ,  $a_3$ ) = 30 mm, min.

Construction details:



**Figure E.1 — Standard configuration for multiple pipe penetration seals**

**A.2.2.1**

<b>Services</b>	<b>Inlay size</b>	<b>Transit size</b>	<b>Classification</b>
Up to 35 mm diameter bundle of cables up to 21 mm diameter	1.5 mm thick by 210 mm long	40 mm Ø x 250 mm long	<b>EI 90</b>
Up to 35 mm diameter bundle of cables up to 35 mm diameter	1.5 mm thick by 210 mm long	40 mm Ø x 250 mm long	<b>E 90</b> <b>EI 60</b>
Up to 50 mm diameter bundle of cables up to 21 mm diameter	2.0 mm thick by 210 mm long	63 mm Ø x 250 mm long	<b>EI 90</b>
Up to 50 mm diameter bundle of cables up to 50 mm diameter	2.0 mm thick by 210 mm long	63 mm Ø x 250 mm long	<b>E 90</b> <b>EI 60</b>
Up to 80 mm diameter bundle of cables up to 21 mm diameter	4.0 mm thick by 210 mm long	90 mm Ø x 250 mm long	<b>EI 90</b>
Up to 80 mm diameter bundle of cables up to 80 mm diameter	4.0 mm thick by 210 mm long	90 mm Ø x 250 mm long	<b>E 90</b> <b>EI 60</b>
Up to 100 mm diameter bundle of cables up to 21 mm diameter	4.5 mm thick by 210 mm long	110 mm Ø x 250 mm long	<b>EI 90</b>
Up to 100 mm diameter bundle of cables up to 80 mm diameter	4.5 mm thick by 210 mm long	110 mm Ø x 250 mm long	<b>E 90</b> <b>EI 60</b>
Empty filled at mid-depth with 50 mm deep plug of AES Fibre $\geq 128\text{kg/m}^3$	All inlay sizes specified above	All transit sizes specified above	<b>E 90</b> <b>EI 60</b>
Up to 32mm diameter plastic pipes in bundle, empty or with penetrating bundle of cables up to 21 mm diameter			<b>EI 90 U/C</b>

### A.2.3 Penetration seals, in drywalls (min. 2 x 12.5 mm board per side) and concrete/masonry walls

**Penetration Seal:** Plastic rectangular services fitted with minimum 250 mm long SOUDATRANSIT P FR, central within the wall. Min. separation between seals ( $a_2$ ) = 30 mm, separation between transit and supporting construction ( $a_1$ ) = 0 mm. Transit fitted in walls with beads of ACRYRUB FR PS between the transit and the supporting construction.

Construction details:

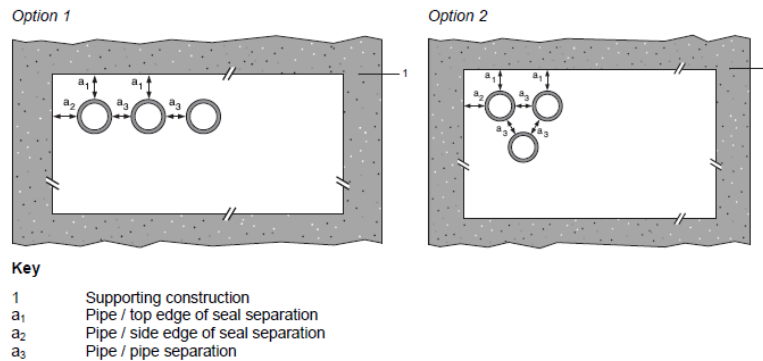
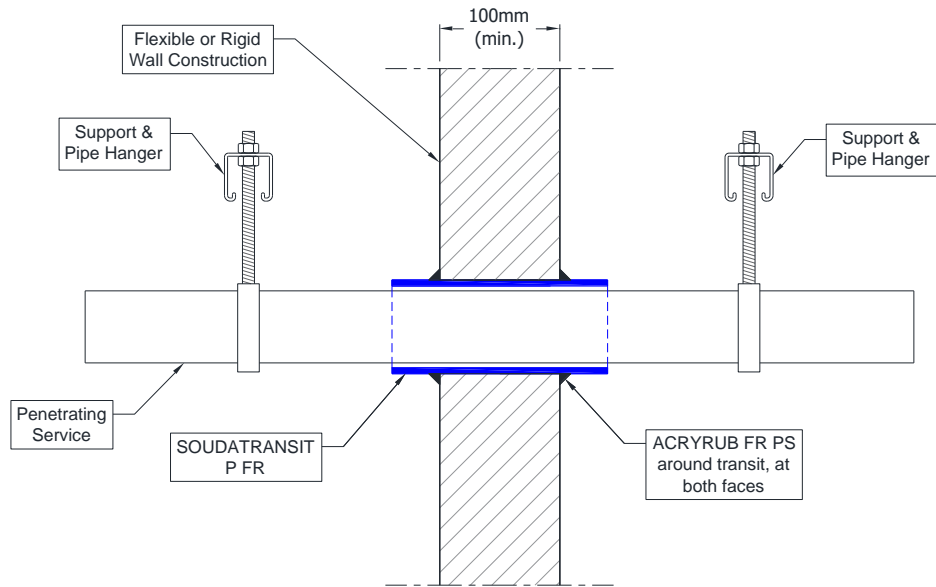


Figure E.1 — Standard configuration for multiple pipe penetration seals

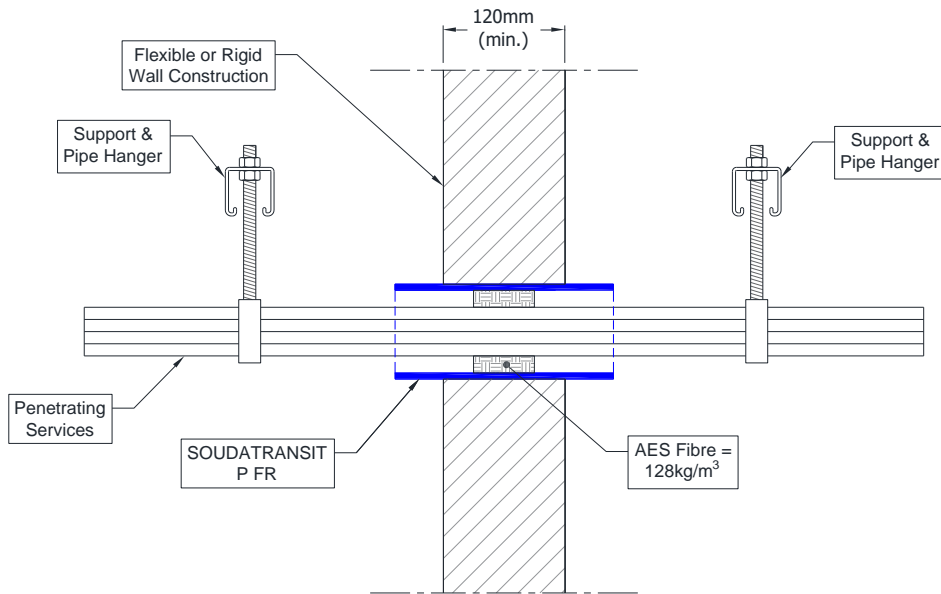
Services	Inlay size	Casing	Transit size	Classification
110 x 54 x 2mm PVC	4.0 mm thick by 250 mm long	100 mm long steel at each end of the transit	126 x 68 x 250 mm long	EI 120 U/U
220 x 90 x 2mm PVC	6.0 mm thick by 250 mm long		240 x 108 x 250 mm long	

### A.3 Flexible or rigid wall constructions with wall thickness of minimum 120 mm

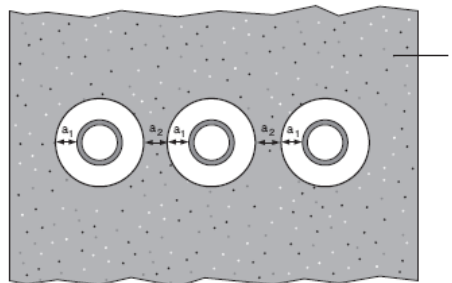
#### A.3.1 Penetration seals, in drywalls (min. 2 x 15 mm board per side) and concrete/masonry walls

**Penetration Seal:** Cables fitted with minimum 250 mm long SOUDATRANSIT P FR, central within the wall. Spaces around cables within the device are sealed with 50 mm deep AES Fibre  $\geq 128\text{kg/m}^3$  installed centrally. Min. Separation between seals ( $a_2$ ) = 30 mm, min. Separation between transit and supporting construction ( $a_1$ ) = 0 mm.

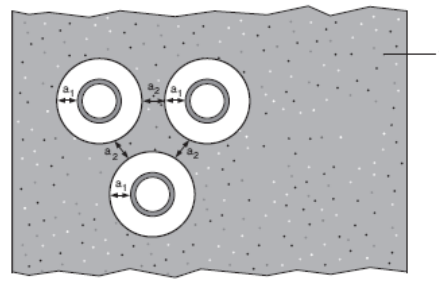
Construction details:



Option 1



Option 2



**Key**

- 1 Supporting construction
- $a_1$  Pipe / edge of seal separation (annular space)
- $a_2$  Separation between penetration seals

**Figure E.2 — Standard configuration for single pipe penetration seals**

**A.3.1.1 SOUDATRANSIT P FR friction fitted into wall**

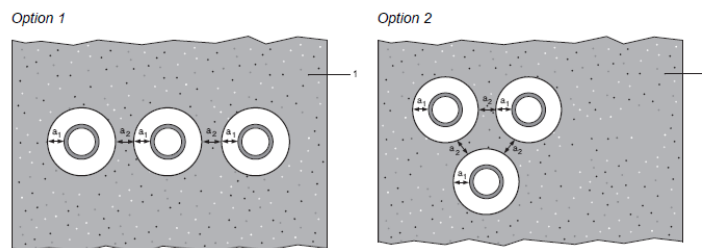
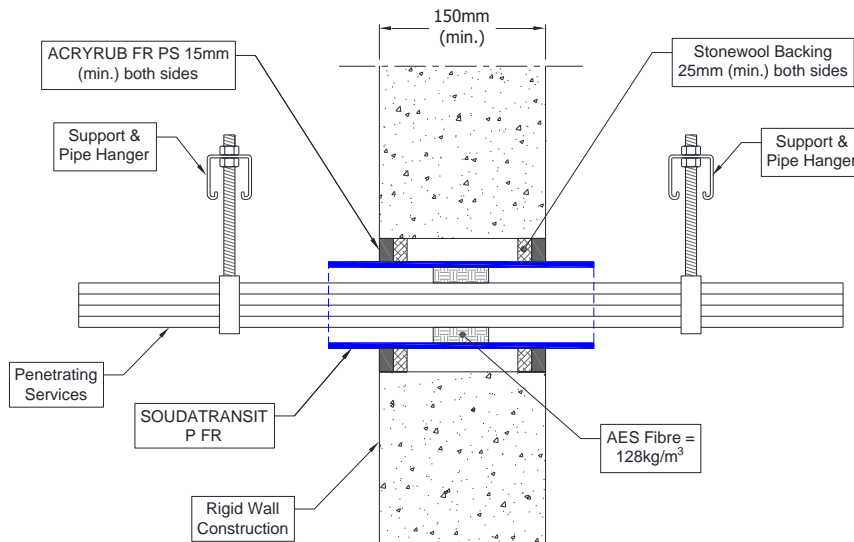
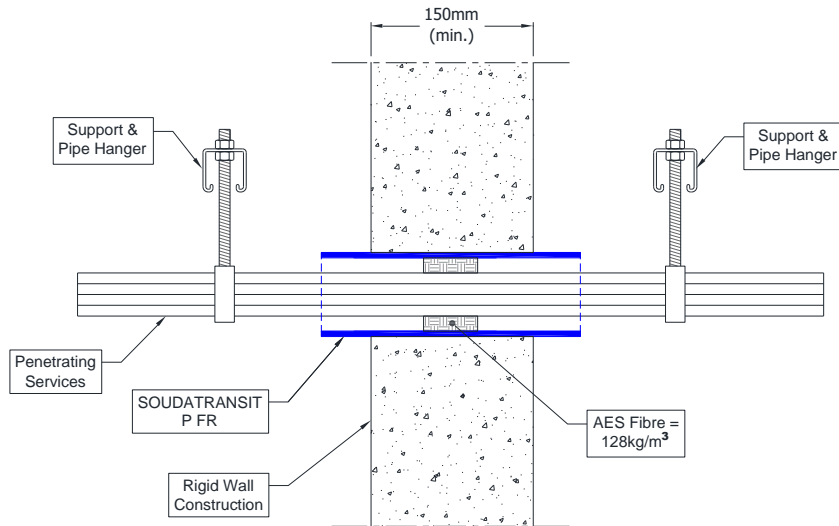
Services	Inlay size	Transit size	Classification
Up to 35 mm diameter bundle of cables up to 21 mm diameter	1.5 mm thick by 210 mm long	40 mm Ø x 250 mm long	<b>EI 120</b>
Up to 35 mm diameter bundle of cables up to 35 mm diameter	1.5 mm thick by 210 mm long	40 mm Ø x 250 mm long	<b>E 120 EI 90</b>
Up to 50 mm diameter bundle of cables up to 21 mm diameter	2.0 mm thick by 210 mm long	63 mm Ø x 250 mm long	<b>EI 120</b>
Up to 50 mm diameter bundle of cables up to 50 mm diameter	2.0 mm thick by 210 mm long	63 mm Ø x 250 mm long	<b>E 120 EI 90</b>
Up to 80 mm diameter bundle of cables up to 21 mm diameter	4.0 mm thick by 210 mm long	90 mm Ø x 250 mm long	<b>EI 120</b>
Up to 80 mm diameter bundle of cables up to 50 mm diameter	4.0 mm thick by 210 mm long	90 mm Ø x 250 mm long	<b>E 120 EI 90</b>
Up to 100 mm diameter bundle of cables up to 21 mm diameter	4.5 mm thick by 210 mm long	110 mm Ø x 250 mm long	<b>EI 120</b>
Up to 100 mm diameter bundle of cables up to 50 mm diameter	4.5 mm thick by 210 mm long	110 mm Ø x 250 mm long	<b>E 120 EI 90</b>
Empty filled at mid-depth with 50 mm deep plug of AES Fibre $\geq 128\text{kg/m}^3$	All inlay sizes specified above	All transit sizes specified above	<b>E 120 EI 90</b>

## A.4 Rigid walls constructions with wall thickness of minimum 150 mm

### A.4.1 Penetration seals in concrete/masonry walls

**Penetration Seal:** Cables, pipes and conduits fitted with minimum 250 mm long SOUDATRANSIT P FR, central within the wall. Spaces around cables, pipes and conduits within the device are sealed with 50 mm deep AES Fibre  $\geq 128\text{kg/m}^3$  installed centrally. Min. Separation between seals ( $a_2$ ) = 30 mm, min. Separation between transit and supporting construction ( $a_1$ ) = 0 mm A.4.1.1 and minimum 10 mm with maximum aperture 300 x 300mm A.4.1.2.

Construction details:



**Key**  
 1 Supporting construction  
 $a_1$  Pipe / edge of seal separation (annular space)  
 $a_2$  Separation between penetration seals

Figure E.2 — Standard configuration for single pipe penetration seals

**A.4.1.1 SOUDATRANSIT P FR friction fitted into wall**

Services	Inlay size	Transit size	Classification
Up to 35 mm diameter bundle of cables up to 21 mm diameter	1.5 mm thick by 210 mm long	40 mm Ø x 250 mm long	EI 240
Up to 50 mm diameter bundle of cables up to 21 mm diameter	2.0 mm thick by 210 mm long	63 mm Ø x 250 mm long	
Up to 80 mm diameter bundle of cables up to 21 mm diameter	4.0 mm thick by 210 mm long	90 mm Ø x 250 mm long	
Up to 100 mm diameter bundle of cables up to 21 mm diameter	4.5 mm thick by 210 mm long	110 mm Ø x 250 mm long	E 240 EI 180
Empty filled at mid-depth with 50 mm deep plug of AES Fibre $\geq 128\text{kg/m}^3$	All inlay sizes specified above	All transit sizes specified above	E 240 EI 180
Up to 32mm diameter plastic pipes in bundle, empty or with penetrating bundle of cables up to 21 mm diameter			EI 240 U/C

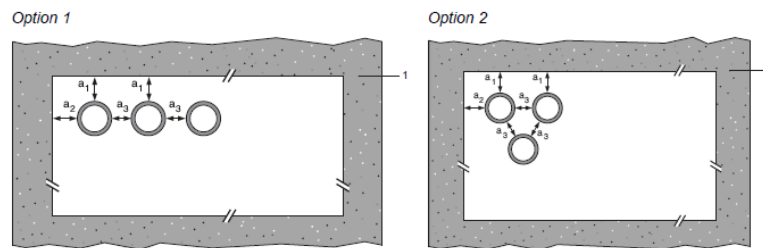
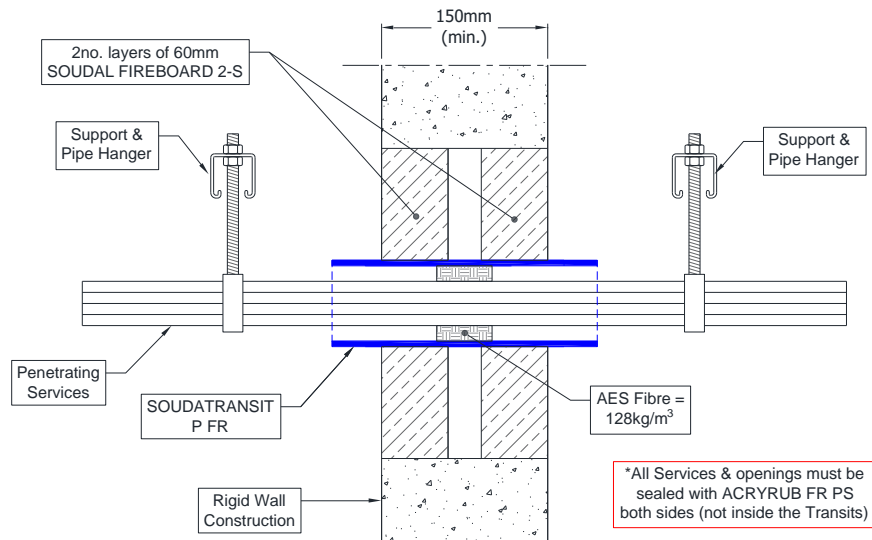
**A.4.1.2 SOUDATRANSIT P FR in minimum 20 mm oversize aperture fitted with ACRYRUB FR PS.**

Services	Inlay size	Transit size	Classification
Up to 35 mm diameter bundle of cables up to 21 mm diameter	1.5 mm thick by 210 mm long	40 mm Ø x 250 mm long	EI 240
Up to 50 mm diameter bundle of cables up to 21 mm diameter	2.0 mm thick by 210 mm long	63 mm Ø x 250 mm long	
Up to 80 mm diameter bundle of cables up to 21 mm diameter	4.0 mm thick by 210 mm long	90 mm Ø x 250 mm long	
Up to 100 mm diameter bundle of cables up to 21 mm diameter	4.5 mm thick by 210 mm long	110 mm Ø x 250 mm long	E 240 EI 180
Empty filled at mid-depth with 50 mm deep plug of AES Fibre $\geq 128\text{kg/m}^3$	All inlay sizes specified above	All transit sizes specified above	EI 240
Up to 32mm diameter plastic pipes in bundle, empty or with penetrating bundle of cables up to 21 mm diameter			EI 240 U/C

#### A.4.2 Penetration seals, in 150 mm thick SOUDAL FIREBOARD 2-S seals (including 30 mm air gap) in concrete/masonry walls

**Penetration Seal:** Cables, pipes and conduits fitted with minimum 250 mm long SOUDATRANSIT P FR, central within the seal. Spaces around cables, pipes and conduits within the device are sealed with 50 mm deep AES Fibre  $\geq 128\text{kg/m}^3$  installed centrally. Min. Separation between transits and between transits and the edges of the board seal (a1, a2, a3) = 30 mm, min.

Construction details:



**Key**  
 1 Supporting construction  
 a<sub>1</sub> Pipe / top edge of seal separation  
 a<sub>2</sub> Pipe / side edge of seal separation  
 a<sub>3</sub> Pipe / pipe separation

Figure E.1 — Standard configuration for multiple pipe penetration seals

##### A.4.2.1

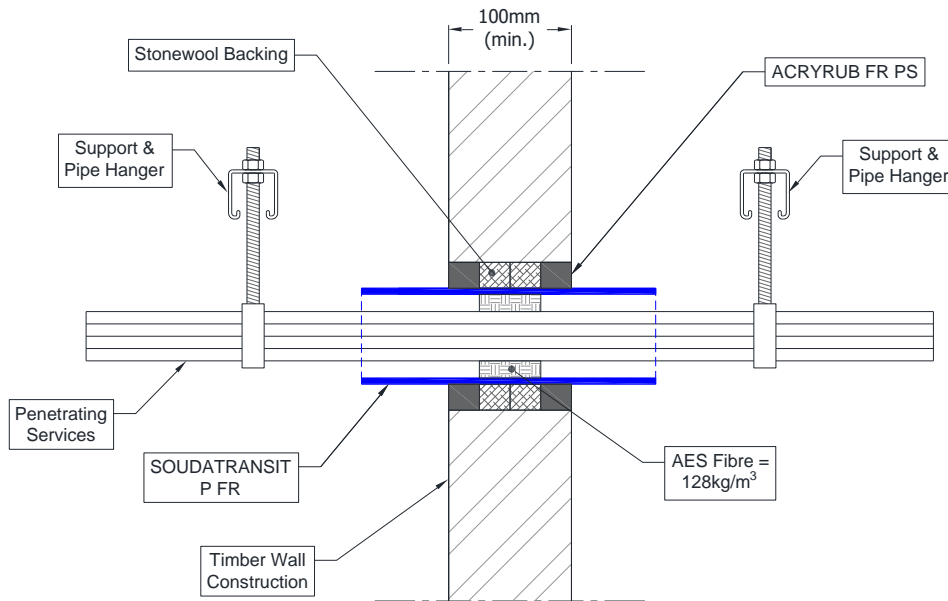
Services	Inlay size	Transit size	Classification
Up to 35 mm diameter bundle of cables up to 21 mm diameter	1.5 mm thick by 210 mm long	40 mm $\varnothing$ x 250 mm long	E 240 EI 180
Up to 50 mm diameter bundle of cables up to 21 mm diameter	2.0 mm thick by 210 mm long	63 mm $\varnothing$ x 250 mm long	E 180 EI 120
Up to 80 mm diameter bundle of cables up to 21 mm diameter	4.0 mm thick by 210 mm long	90 mm $\varnothing$ x 250 mm long	E 240 EI 120
Up to 100 mm diameter bundle of cables up to 21 mm diameter	4.5 mm thick by 210 mm long	110 mm $\varnothing$ x 250 mm long	E 240 EI 180
Empty filled at mid-depth with 50 mm deep plug of AES Fibre $\geq 128\text{kg/m}^3$	All inlay sizes specified above	All transit sizes specified above	EI 90 U/C
Up to 32mm diameter plastic pipes in bundle, empty or with penetrating bundle of cables up to 21 mm diameter			

## A.5 Timber wall constructions with wall thickness of minimum 100 mm

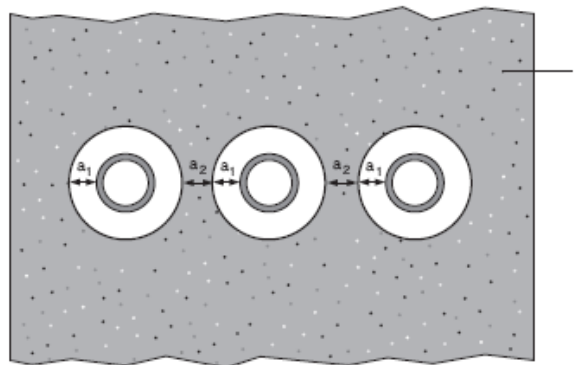
### A.5.1 Penetration seals in timber walls

**Penetration Seal:** Cables, pipes and conduits fitted with minimum 250 mm long SOUDATRANSIT P FR central within the wall. The annular space around the SOUDATRANSIT P FR is sealed with ACRYRUB FR PS, minimum 25 mm deep to both sides of the wall backed with Stonewool (minimum 33kg/m<sup>3</sup> density), minimum 25 mm deep. Spaces around services within the device are sealed with 50 mm deep AES Fibre ≥ 128kg/m<sup>3</sup> installed centrally. Min. Separation between seals (a2) = 30 mm, min. Minimum separation between transit and supporting construction (a1) = 10 mm. Maximum aperture size is Ø 180mm.

Construction details:



Configuration 1:



**Key**

- 1 Supporting construction
- a1 Pipe / edge of seal separation (annular space)
- a2 Separation between penetration seals

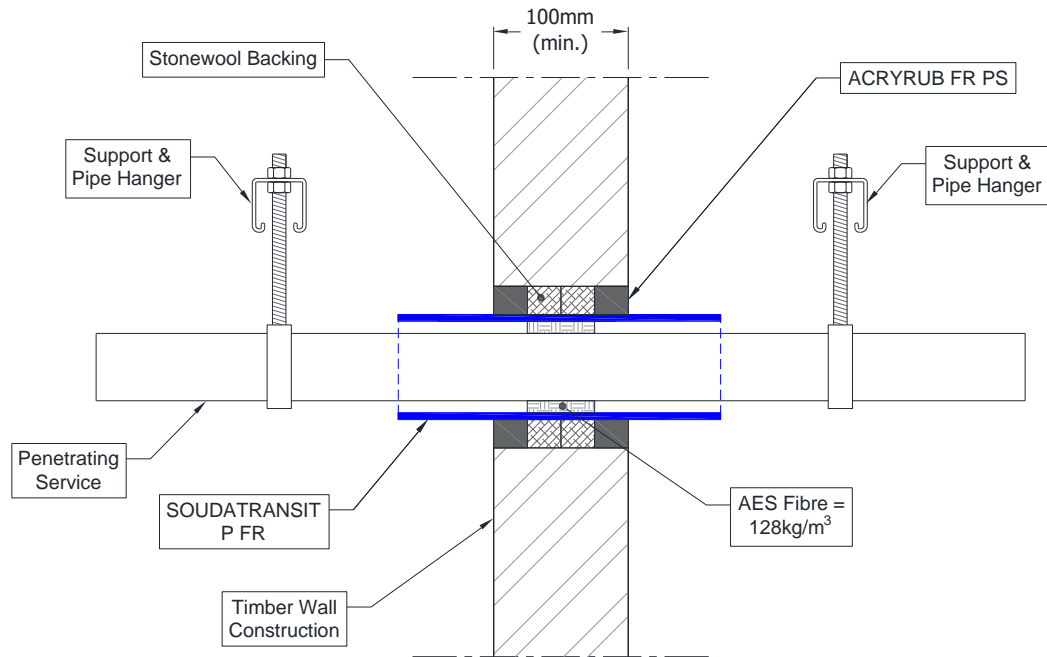
### A.5.1.1

Services	Inlay size	Transit size	Classification
Up to 35 mm diameter bundle of cables up to 21 mm diameter	1.5 mm thick by 210 mm long	40 mm Ø x 250 mm long	EI 90
Up to 35 mm diameter bundle of cables up to 35 mm diameter	1.5 mm thick by 210 mm long	40 mm Ø x 250 mm long	E 90 EI 60
Up to 50 mm diameter bundle of cables up to 21 mm diameter	2.0 mm thick by 210 mm long	63 mm Ø x 250 mm long	EI 90
Up to 50 mm diameter bundle of cables up to 50 mm diameter	2.0 mm thick by 210 mm long	63 mm Ø x 250 mm long	E 90 EI 60
Up to 80 mm diameter bundle of cables up to 21 mm diameter	4.0 mm thick by 210 mm long	90 mm Ø x 250 mm long	EI 90
Up to 80 mm diameter bundle of cables up to 80 mm diameter	4.0 mm thick by 210 mm long	90 mm Ø x 250 mm long	E 90 EI 60
Up to 100 mm diameter bundle of cables up to 21 mm diameter	4.5 mm thick by 210 mm long	110 mm Ø x 250 mm long	EI 90
Up to 100 mm diameter bundle of cables up to 80 mm diameter	4.5 mm thick by 210 mm long	110 mm Ø x 250 mm long	E 90 EI 60
Empty filled at mid-depth with 50 mm deep plug of AES Fibre $\geq 128\text{kg/m}^3$	All inlay sizes specified above	All transit sizes specified above	EI 90
Up to 32mm diameter plastic pipes in bundle, empty or with penetrating bundle of cables up to 21 mm diameter			EI 90 U/C

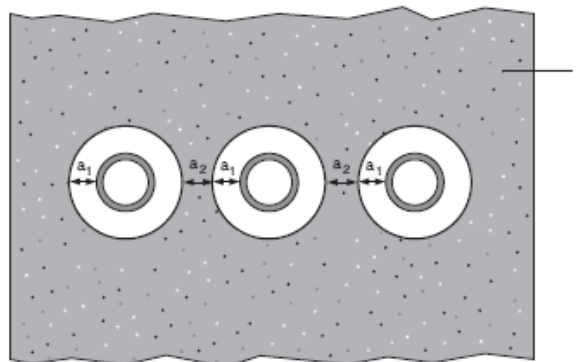
### A.5.2 Penetration seals in timber walls

**Penetration Seal:** Plastic rectangular services with minimum 250 mm long SOUDATRANSIT P FR central within the wall. The annular space around the SOUDATRANSIT P FR is sealed with ACRYRUB FR PS, minimum 25 mm deep to both sides of the wall backed with stonewool (minimum 33kg/m<sup>3</sup> density), minimum 25 mm deep. Min. Separation between seals (a2) = 30 mm, min. Minimum separation between transit and supporting construction (a1) = 10 mm. Maximum aperture size is Ø 180mm.

Construction details:



Configuration 1:



Services	Inlay size	Casing	Transit size	Classification
110 x 54 x 2mm PVC	4.0 mm thick by 250 mm long	100 mm long steel at each end of the transit	126 x 68 x 250 mm long	EI 90 U/U
220 x 90 x 2mm PVC	6.0 mm thick by 250 mm long		240 x 108 x 250 mm long	

## A.6 Rigid floor constructions with thickness of minimum 150 mm

### A.6.1 Penetration seals in concrete/masonry floors

**Penetration Seal:** Cables, pipes and conduits fitted with minimum 250 mm long SOUDATRANSIT P FR, central within the floor, or 130 - 150 mm long, top side within the floor. Spaces around cables, pipes and conduits within the device are sealed with 50 mm deep AES Fibre  $\geq 128\text{kg/m}^3$  installed top side. Min. Separation between seals ( $a_2$ ) = 30 mm, min. Separation between transit and supporting construction ( $a_1$ ) = 0 mm A.5.1.1 and minimum 10 mm with maximum aperture 300 x 300mm A.5.1.2.

Construction details:

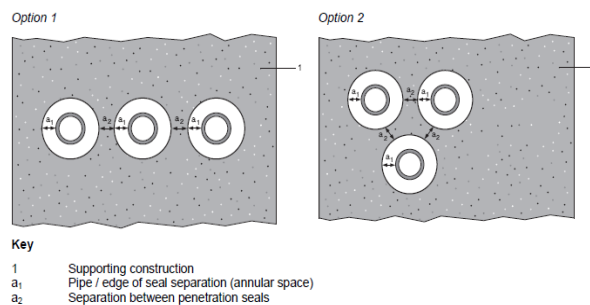
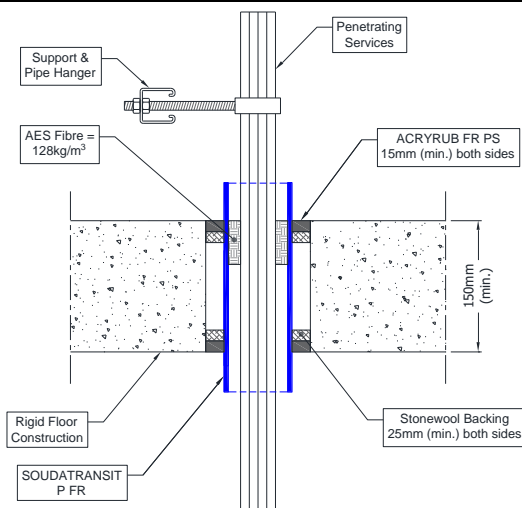
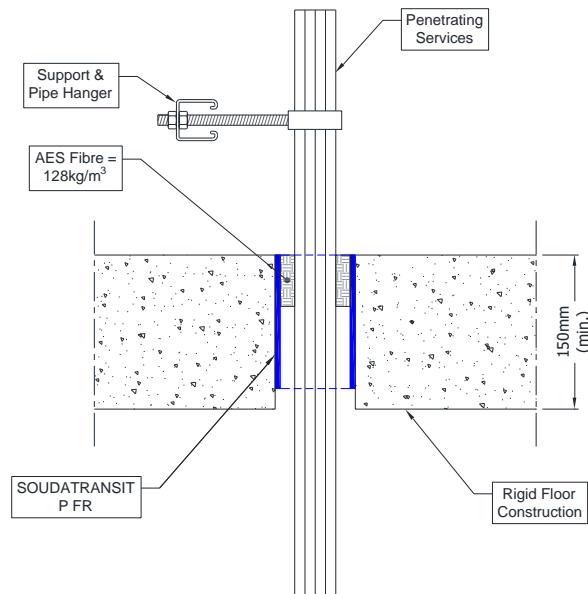
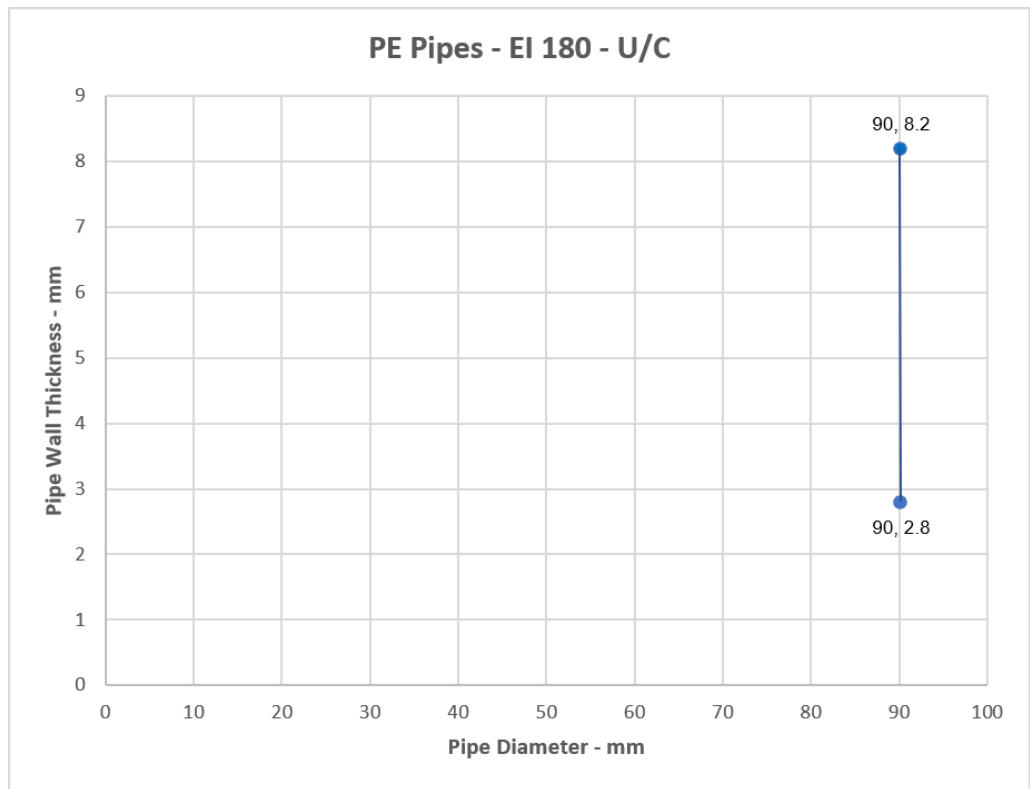
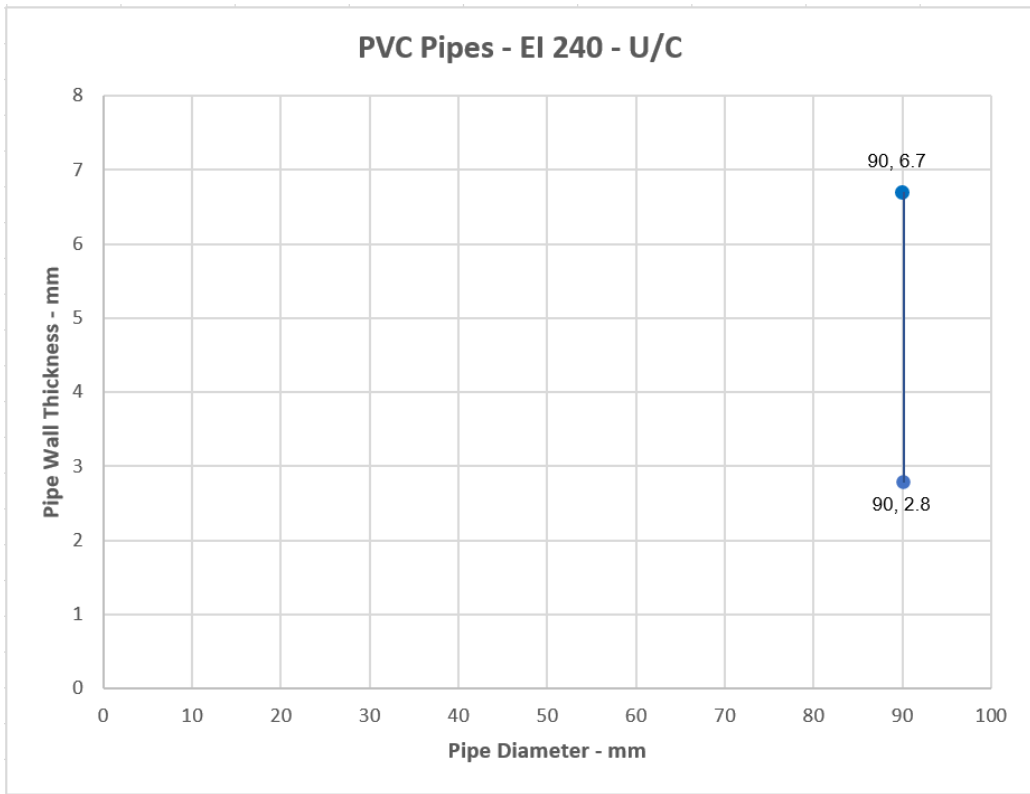
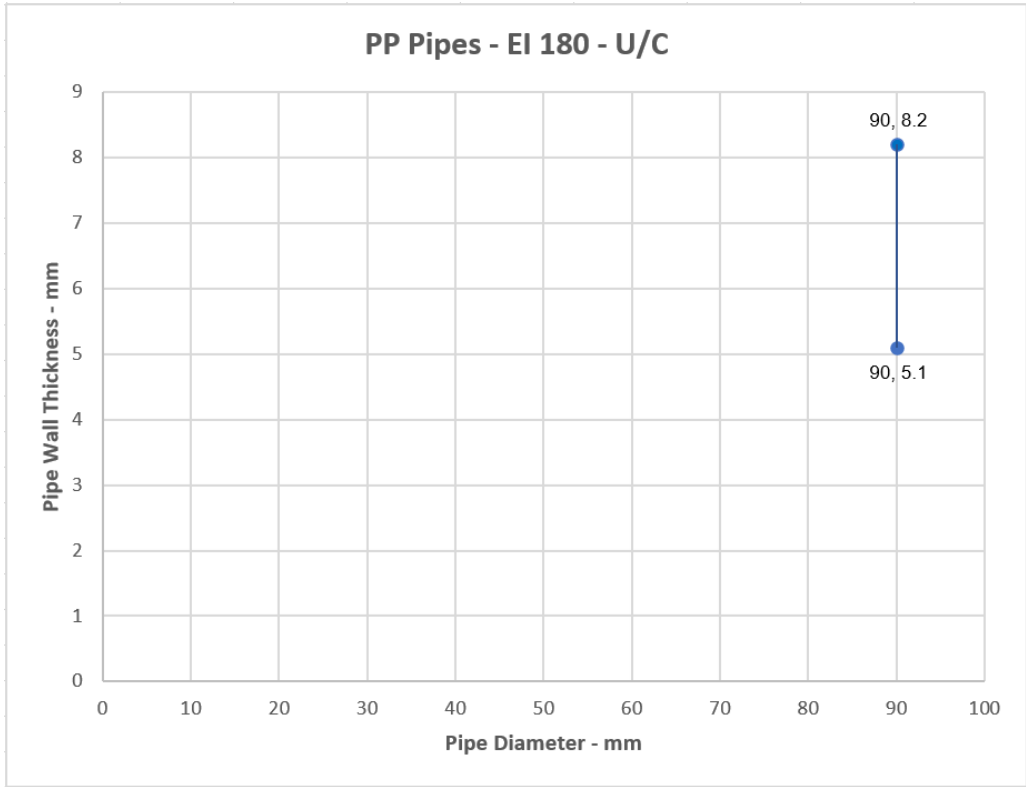


Figure E.2 — Standard configuration for single pipe penetration seals

### A.6.1.1 SOUDATRANSIT P FR friction fitted into floor

Services	Inlay size	Transit size	Classification
Up to 35 mm diameter bundle of cables up to 21 mm diameter	1.5 mm thick by 210 mm long	40 mm Ø x 250 mm long	EI 180
Up to 35 mm diameter bundle of cables up to 35 mm diameter	1.5 mm thick by 210 mm long	40 mm Ø x 250 mm long	E 180 EI 60
Up to 28 mm diameter steel pipe with minimum 1.0 mm wall thickness	1.5 mm thick by 130 mm long	40 mm Ø x 130 mm long	EI 240 C/U
Up to 50 mm diameter bundle of cables up to 21 mm diameter	2.0 mm thick by 210 mm long	63 mm Ø x 250 mm long	EI 180
Up to 50 mm diameter bundle of cables up to 50 mm diameter	2.0 mm thick by 210 mm long	63 mm Ø x 250 mm long	E 180 EI 60
Up to 80 mm diameter bundle of cables up to 21 mm diameter	4.0 mm thick by 210 mm long	90 mm Ø x 250 mm long	EI 180
Up to 80 mm diameter bundle of cables up to 50 mm diameter	4.0 mm thick by 210 mm long	90 mm Ø x 250 mm long	E 180 EI 60
Up to 80 mm diameter bundle of cables up to 80 mm diameter	4.0 mm thick by 210 mm long	90 mm Ø x 250 mm long	E 90 EI 60
Up to 100 mm diameter bundle of cables up to 21 mm diameter	4.5 mm thick by 210 mm long	110 mm Ø x 250 mm long	EI 180
Up to 100 mm diameter bundle of cables up to 50 mm diameter	4.5 mm thick by 210 mm long	110 mm Ø x 250 mm long	E 180 EI 60
Up to 100 mm diameter bundle of cables up to 80 mm diameter	4.5 mm thick by 210 mm long	110 mm Ø x 250 mm long	E 90 EI 60
Up to 100 mm diameter bundle of cables up to 21 mm diameter	6.0 mm thick by 130 mm long	110 mm Ø x 130 mm long	EI 180
Up to 90 mm diameter PVC pipe with wall thickness 2.8 – 6.7 mm *	6.0 mm thick by 130 mm long	110 mm Ø x 150 mm long	EI 240 U/C
Up to 90 mm diameter PE pipe with wall thickness 2.8 – 8.2 mm *	6.0 mm thick by 130 mm long	110 mm Ø x 150 mm long	EI 180 U/C
Up to 90 mm diameter PP pipe with wall thickness 5.1 – 8.2 mm *	6.0 mm thick by 130 mm long	110 mm Ø x 150 mm long	EI 180 U/C
Empty filled at top-side with 50 mm deep plug of AES Fibre $\geq 128\text{kg/m}^3$	6.0 mm thick by 130 mm long	110 mm Ø x 130 mm long	EI 240
	All inlay sizes specified above	All transit sizes specified above	E 240 EI 180
Up to 32mm diameter plastic pipes in bundle, empty or with penetrating bundle of cables up to 21 mm diameter	All inlay sizes specified above	All transit sizes specified above	E 120 C/U EI 60 C/U
	6.0 mm thick by 130 mm long	110 mm Ø x 130 mm long	EI 240 U/C





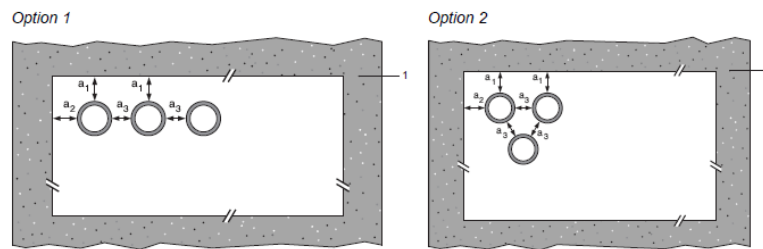
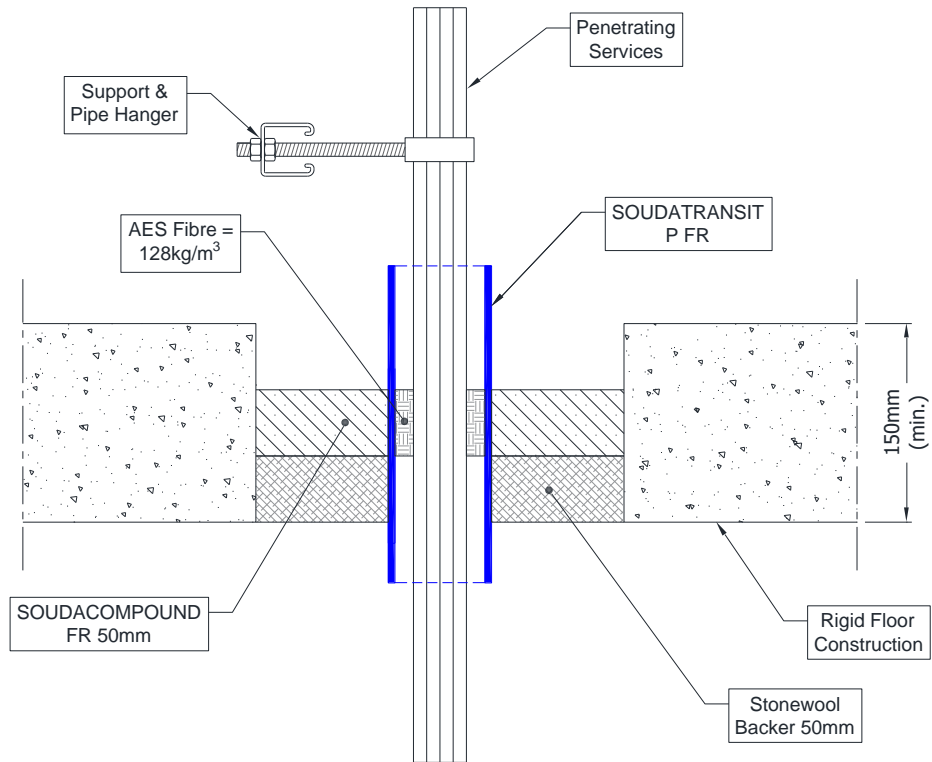
**A.6.1.2 SOUDATRANSIT P FR in minimum 20 mm oversize aperture fitted with ACRYRUB FR PS.**

Services	Inlay size	Transit size	Classification
Up to 35 mm diameter bundle of cables up to 14 mm diameter	1.5 mm thick by 210 mm long	40 mm Ø x 250 mm long	<b>EI 240</b>
Up to 35 mm diameter bundle of cables up to 21 mm diameter	1.5 mm thick by 210 mm long	40 mm Ø x 250 mm long	<b>E 240 EI 180</b>
Up to 35 mm diameter bundle of cables up to 35 mm diameter	1.5 mm thick by 210 mm long	40 mm Ø x 250 mm long	<b>E 240 EI 60</b>
Up to 50 mm diameter bundle of cables up to 21 mm diameter	2.0 mm thick by 210 mm long	63 mm Ø x 250 mm long	<b>E 240 EI 180</b>
Up to 50 mm diameter bundle of cables up to 50 mm diameter	2.0 mm thick by 210 mm long	63 mm Ø x 250 mm long	<b>E 240 EI 60</b>
Up to 80 mm diameter bundle of cables up to 14 mm diameter	4.0 mm thick by 210 mm long	90 mm Ø x 250 mm long	<b>EI 240</b>
Up to 80 mm diameter bundle of cables up to 21 mm diameter	4.0 mm thick by 210 mm long	90 mm Ø x 250 mm long	<b>E 240 EI 180</b>
Up to 80 mm diameter bundle of cables up to 50 mm diameter	4.0 mm thick by 210 mm long	90 mm Ø x 250 mm long	<b>E 240 EI 60</b>
Up to 80 mm diameter bundle of cables up to 80 mm diameter	4.0 mm thick by 210 mm long	90 mm Ø x 250 mm long	<b>E 90 EI 60</b>
Up to 100 mm diameter bundle of cables up to 21 mm diameter	4.5 mm thick by 210 mm long	110 mm Ø x 250 mm long	<b>EI 180</b>
Up to 100 mm diameter bundle of cables up to 50 mm diameter	4.5 mm thick by 210 mm long	110 mm Ø x 250 mm long	<b>E 180 EI 60</b>
Up to 100 mm diameter bundle of cables up to 80 mm diameter	4.5 mm thick by 210 mm long	110 mm Ø x 250 mm long	<b>E 90 EI 60</b>
Empty filled at mid-depth with 50 mm deep plug of AES Fibre $\geq 128\text{kg/m}^3$	All inlay sizes specified above	All transit sizes specified above	<b>E 240 EI 180</b>
Up to 32mm diameter plastic pipes in bundle, empty or with penetrating bundle of cables up to 21 mm diameter			<b>E 120 C/U EI 60 C/U</b>
			<b>EI 180 C/U</b>

**A.6.2 Penetration seals, in 50 mm thick SOUDACOMPOUND FR seals (with 50 mm stone wool backer) in concrete/masonry floors**

**Penetration Seal:** Cables, pipes and conduits fitted with 250 mm long SOUDATRANSIT P FR, central within the seal. Spaces around cables, pipes and conduits within the device are sealed with 50 mm deep AES Fibre  $\geq 128\text{kg/m}^3$  installed centrally. Min. Separation between transits and between transits and the edges of the board seal ( $a_1$ ,  $a_2$ ,  $a_3$ ) = 30 mm, min.

Construction details:



- Key**
- 1 Supporting construction
  - $a_1$  Pipe / top edge of seal separation
  - $a_2$  Pipe / side edge of seal separation
  - $a_3$  Pipe / pipe separation

**Figure E.1 — Standard configuration for multiple pipe penetration seals**

### A.6.2.1

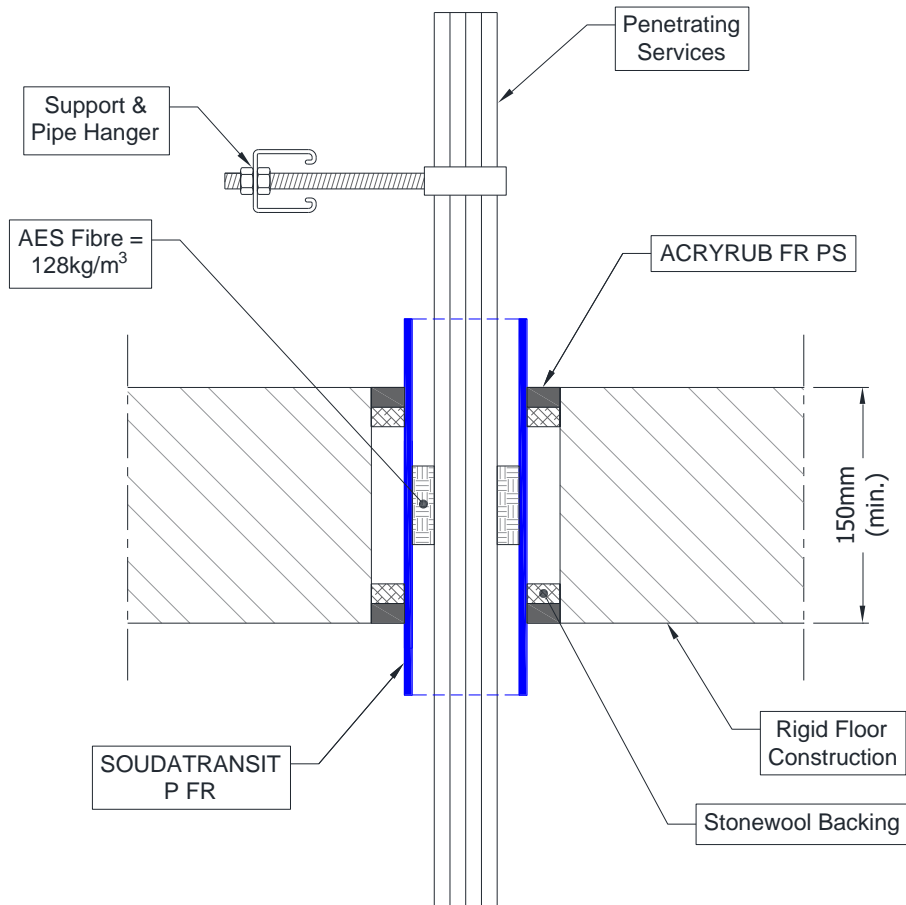
Services	Inlay size	Transit size	Classification
Up to 35 mm diameter bundle of cables up to 14 mm diameter	1.5 mm thick by 210 mm long	40 mm Ø x 250 mm long	<b>EI 240</b>
Up to 35 mm diameter bundle of cables up to 21 mm diameter	1.5 mm thick by 210 mm long	40 mm Ø x 250 mm long	<b>E 240 EI 180</b>
Up to 35 mm diameter bundle of cables up to 35 mm diameter	1.5 mm thick by 210 mm long	40 mm Ø x 250 mm long	<b>E 240 EI 60</b>
Up to 50 mm diameter bundle of cables up to 21 mm diameter	2.0 mm thick by 210 mm long	63 mm Ø x 250 mm long	<b>EI 180</b>
Up to 50 mm diameter bundle of cables up to 50 mm diameter	2.0 mm thick by 210 mm long	63 mm Ø x 250 mm long	<b>E 180 EI 60</b>
Up to 50 mm diameter bundle of cables up to 80 mm diameter	2.0 mm thick by 210 mm long	63 mm Ø x 250 mm long	<b>E 90 EI 60</b>
Up to 80 mm diameter bundle of cables up to 21 mm diameter	4.0 mm thick by 210 mm long	90 mm Ø x 250 mm long	<b>E 240 EI 120</b>
Up to 80 mm diameter bundle of cables up to 50 mm diameter	4.0 mm thick by 210 mm long	90 mm Ø x 250 mm long	<b>E 240 EI 60</b>
Up to 80 mm diameter bundle of cables up to 80 mm diameter	4.0 mm thick by 210 mm long	90 mm Ø x 250 mm long	<b>E 90 EI 60</b>
Up to 100 mm diameter bundle of cables up to 21 mm diameter	4.5 mm thick by 210 mm long	110 mm Ø x 250 mm long	<b>EI 120</b>
Up to 100 mm diameter bundle of cables up to 50 mm diameter	4.5 mm thick by 210 mm long	110 mm Ø x 250 mm long	<b>E 120 EI 60</b>
Up to 100 mm diameter bundle of cables up to 80 mm diameter	4.5 mm thick by 210 mm long	110 mm Ø x 250 mm long	<b>E 90 EI 60</b>
Empty filled at mid-depth with 50 mm deep plug of AES Fibre $\geq 128\text{kg/m}^3$	All inlay sizes specified above	All transit sizes specified above	<b>E 240 EI 180</b>
Up to 32mm diameter plastic pipes in bundle, empty or with penetrating bundle of cables up to 21 mm diameter			<b>E 120 C/U EI 60 C/U</b>
			<b>EI 120 C/U</b>

## A.7 Timber floor constructions with floor thickness of minimum 150 mm

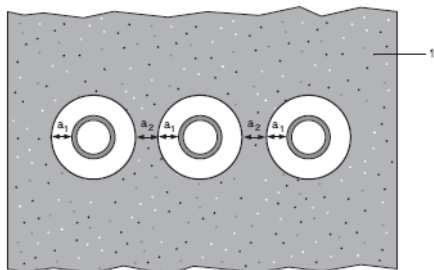
### A.7.1 Penetration seals in timber floors

**Penetration Seal:** Cables, pipes and conduits fitted with minimum 250 mm long SOUDATRANSIT P FR central within the floor, or 150 mm long, top side within the floor. The annular space around the SOUDATRANSIT P FR is sealed with ACRYRUB FR PS, minimum 25 mm deep to both sides of the floor backed with Stonewool (minimum 33kg/m<sup>3</sup> density), minimum 25 mm deep. Spaces around services within the device are sealed with 50 mm deep AES Fibre ≥ 128kg/m<sup>3</sup> installed centrally. Min. Separation between seals (a2) = 30 mm, min. Minimum separation between transit and supporting construction (a1) = 10 mm. Maximum aperture size is Ø 220mm.

Construction details:



Configuration 1:



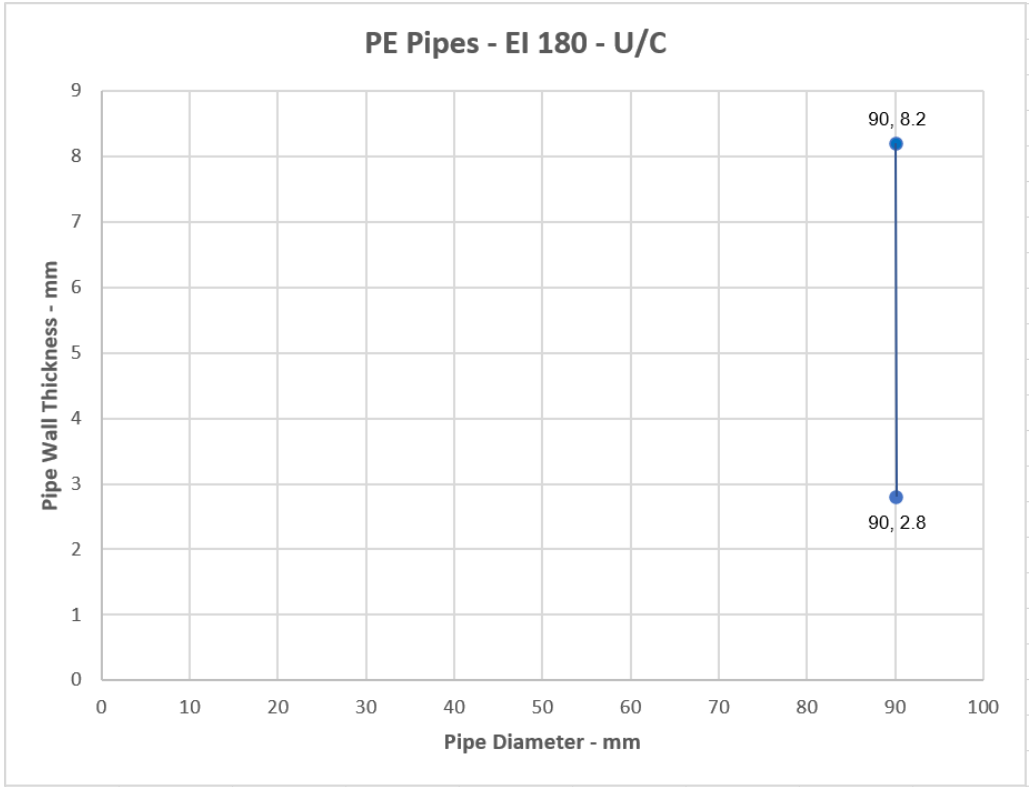
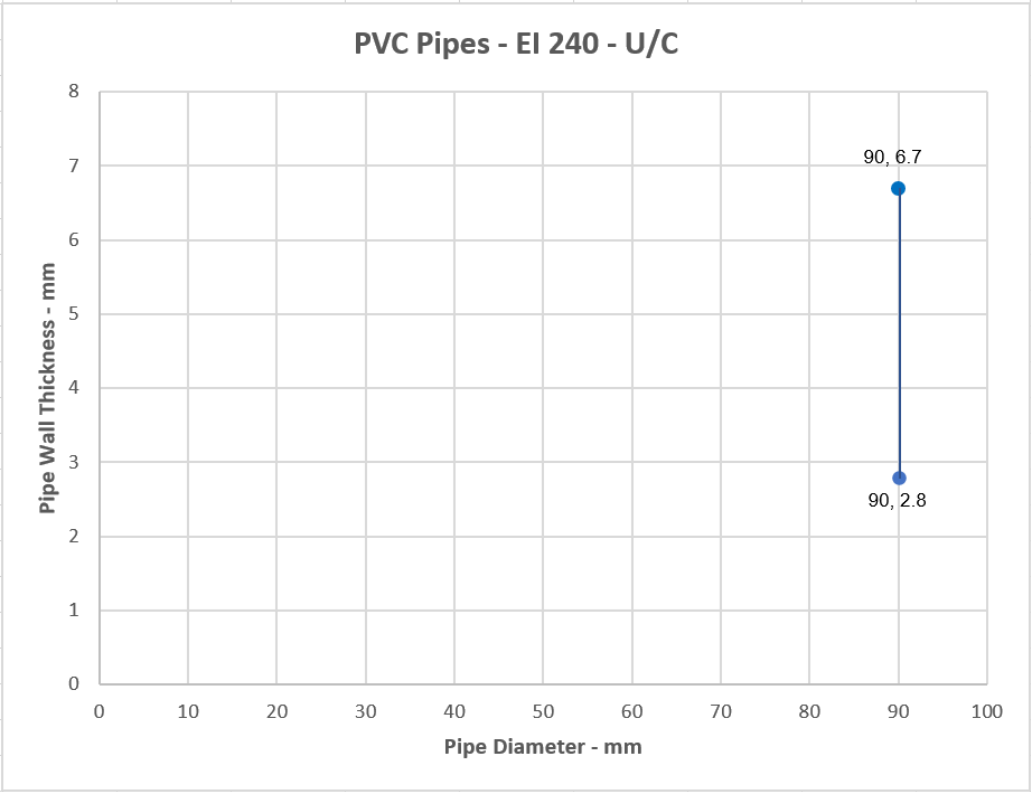
**Key**

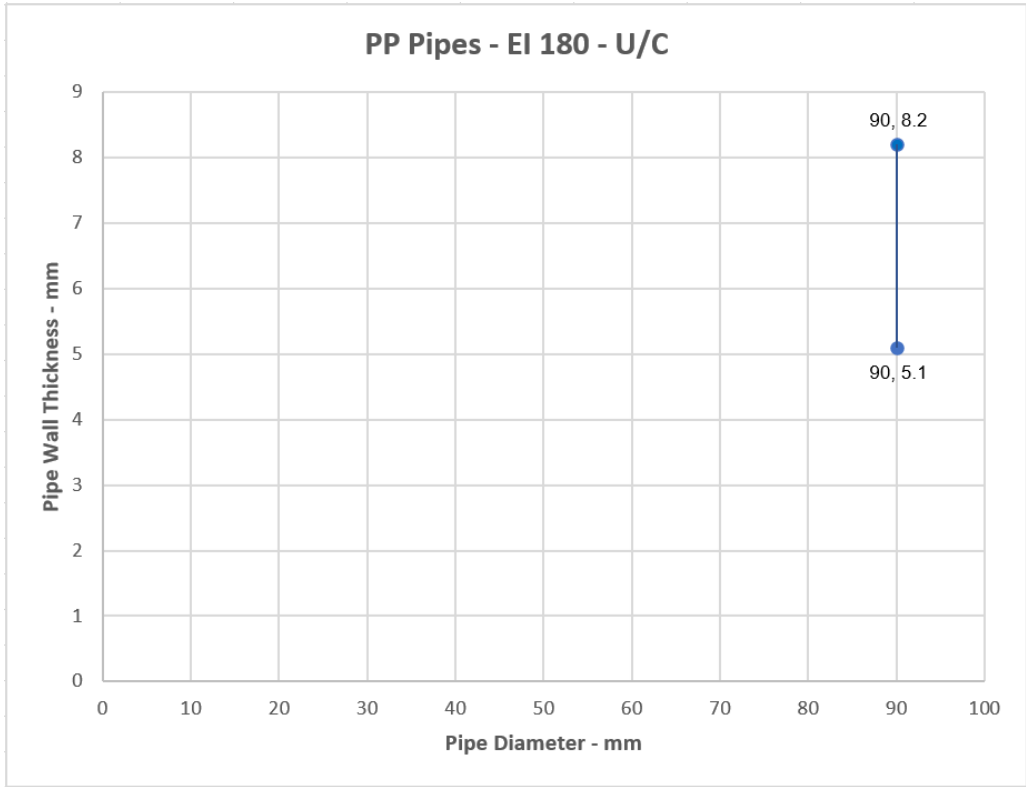
- 1 Supporting construction
- a1 Pipe / edge of seal separation (annular space)
- a2 Separation between penetration seals

**A.7.1.1**

Services	Inlay size	Transit size	Classification
Up to 35 mm diameter bundle of cables up to 21 mm diameter	1.5 mm thick by 210 mm long	40 mm Ø x 250 mm long	EI 120
Up to 35 mm diameter bundle of cables up to 35 mm diameter	1.5 mm thick by 210 mm long	40 mm Ø x 250 mm long	E 120 EI 60
Up to 28 mm diameter steel pipe with minimum 1.0 mm wall thickness	1.5 mm thick by 130 mm long	40 mm Ø x 150 mm long	EI 120 C/U
Up to 50 mm diameter bundle of cables up to 21 mm diameter	2.0 mm thick by 210 mm long	63 mm Ø x 250 mm long	EI 120
Up to 50 mm diameter bundle of cables up to 50 mm diameter	2.0 mm thick by 210 mm long	63 mm Ø x 250 mm long	E 120 EI 60
Up to 80 mm diameter bundle of cables up to 21 mm diameter	4.0 mm thick by 210 mm long	90 mm Ø x 250 mm long	EI 120
Up to 80 mm diameter bundle of cables up to 50 mm diameter	4.0 mm thick by 210 mm long	90 mm Ø x 250 mm long	E 120 EI 60
Up to 80 mm diameter bundle of cables up to 80 mm diameter	4.0 mm thick by 210 mm long	90 mm Ø x 250 mm long	E 90 EI 60
Up to 100 mm diameter bundle of cables up to 21 mm diameter	4.5 mm thick by 210 mm long	110 mm Ø x 250 mm long	EI 120
Up to 100 mm diameter bundle of cables up to 50 mm diameter	4.5 mm thick by 210 mm long	110 mm Ø x 250 mm long	E 120 EI 60
Up to 100 mm diameter bundle of cables up to 80 mm diameter	4.5 mm thick by 210 mm long	110 mm Ø x 250 mm long	E 90 EI 60
Up to 100 mm diameter bundle of cables up to 21 mm diameter	6.0 mm thick by 130 mm long	110 mm Ø x 150 mm long	EI 120
Up to 90 mm diameter PVC pipe with wall thickness 2.8 – 6.7 mm *	6.0 mm thick by 130 mm long	110 mm Ø x 150 mm long	EI 120 U/C
Up to 90 mm diameter PE pipe with wall thickness 2.8 – 8.2 mm *	6.0 mm thick by 130 mm long	110 mm Ø x 150 mm long	EI 120 U/C
Up to 90 mm diameter PP pipe with wall thickness 5.1 – 8.2 mm *	6.0 mm thick by 130 mm long	110 mm Ø x 150 mm long	EI 120 U/C
Empty filled at top-side with 50 mm deep plug of AES Fibre ≥ 128kg/m <sup>3</sup>	6.0 mm thick by 130 mm long	110 mm Ø x 150 mm long	EI 120
	All inlay sizes specified above	All transit sizes specified above	E 120 EI 120
Up to 32mm diameter plastic pipes in bundle, empty or with penetrating bundle of cables up to 21 mm diameter	All inlay sizes specified above	All transit sizes specified above	E 120 C/U EI 60 C/U
	6.0 mm thick by 130 mm long	110 mm Ø x 150 mm long	EI 120 U/C

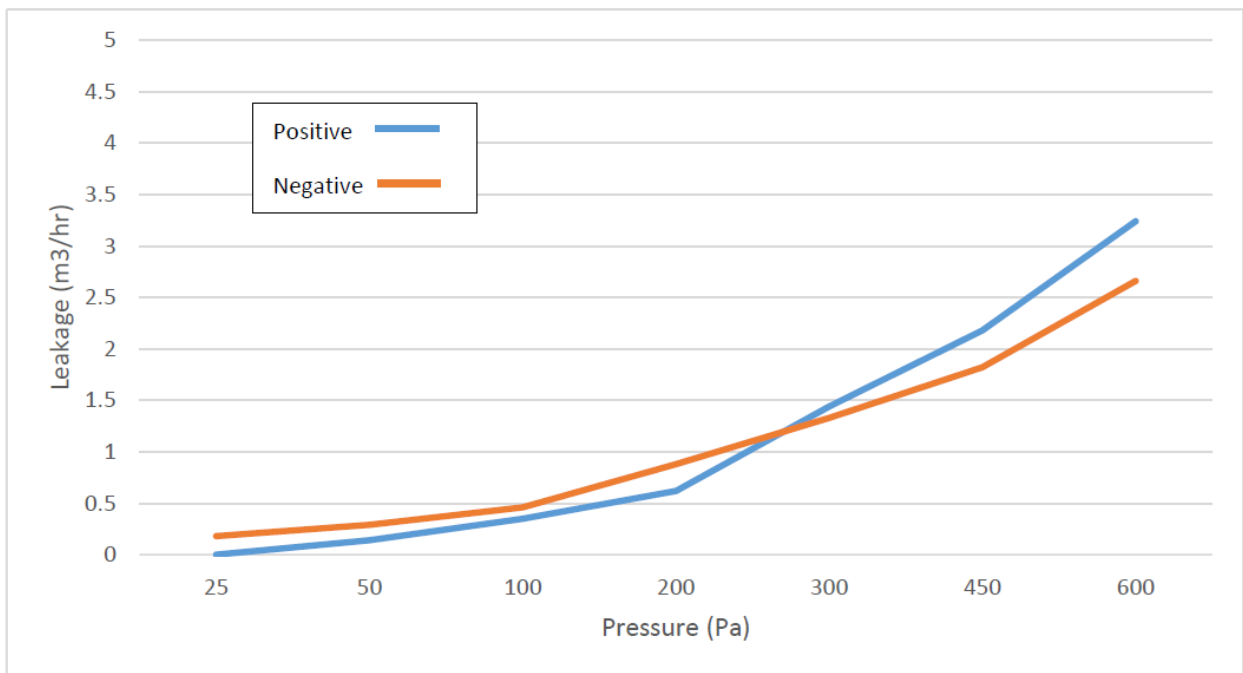
\*See below graphs for interpolation pipe sizes



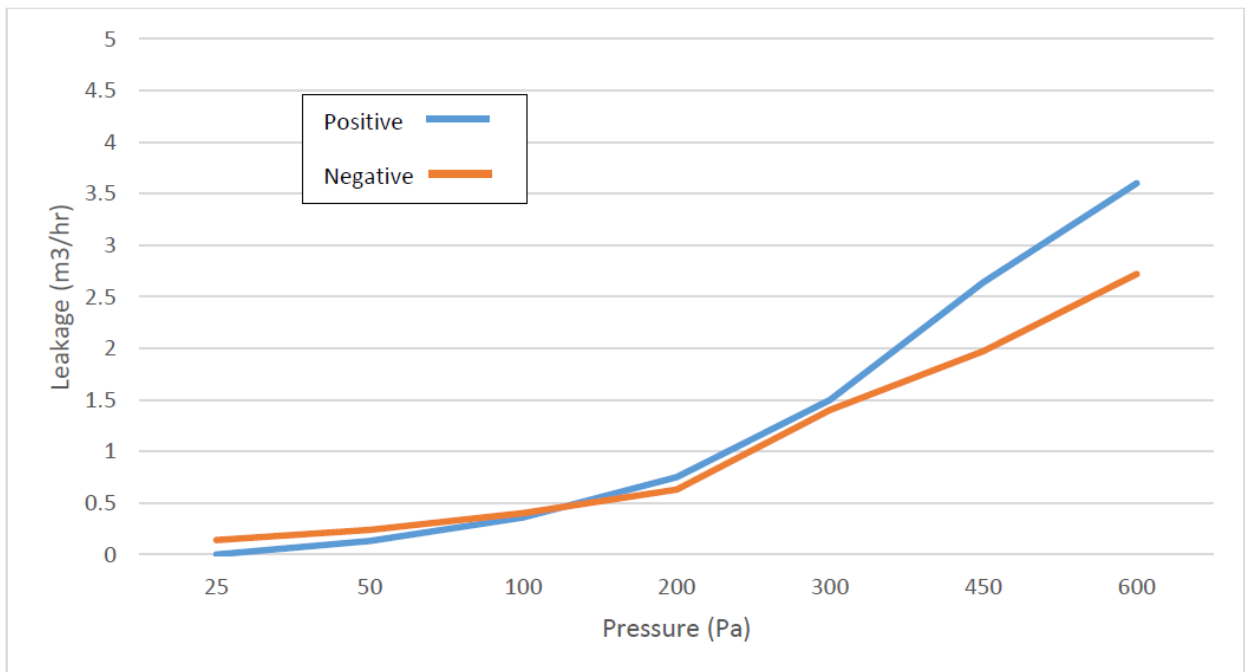


## ANNEX B – Air Permeability – SOUDATRANSIT P FR

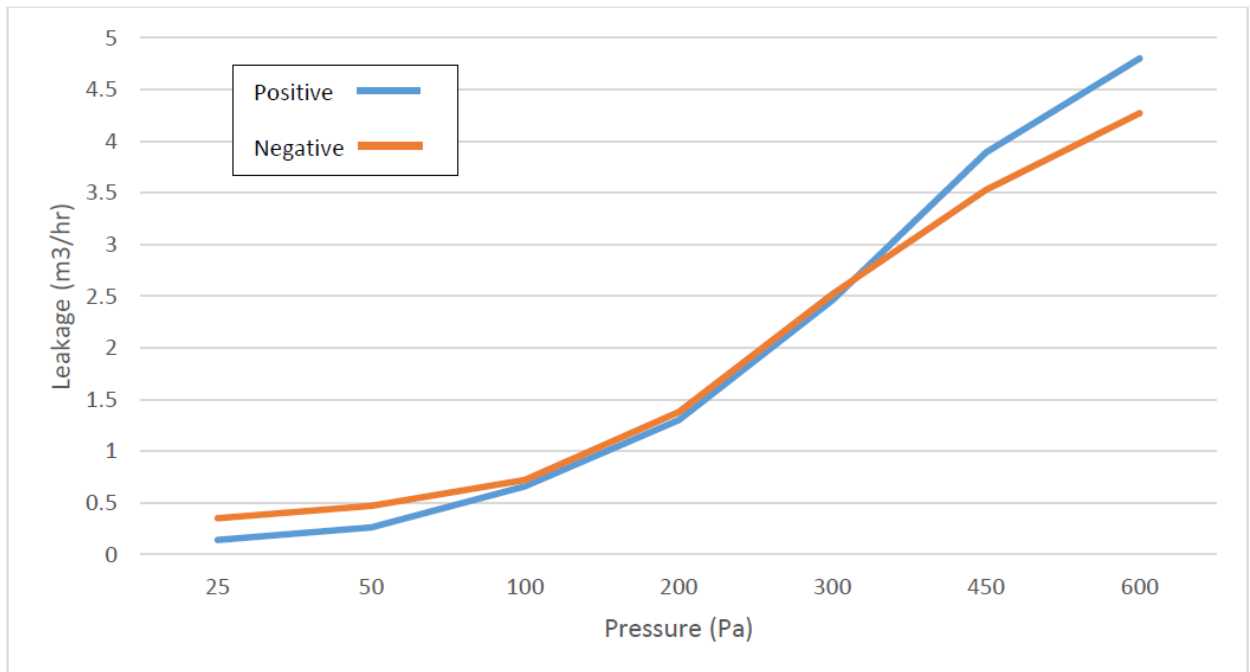
Product tested	110mm SOUDATRANSIT P FR with AES Fibre $\geq 128\text{kg/m}^3$ seal no services		
	Summary of testing procedure		Result
	Pressure (Pa)	Leakage ( $\text{m}^3/\text{h}$ )	Leakage ( $\text{m}^3/\text{m}^2/\text{h}$ )
Results under negative chamber pressure	25	0.18	N/A
	50	0.29	N/A
	100	0.46	N/A
	200	0.88	N/A
	300	1.33	N/A
	450	1.82	N/A
	600	2.66	N/A
Results under positive chamber pressure	25	0.08	N/A
	50	0.14	N/A
	100	0.35	N/A
	200	0.62	N/A
	300	1.44	N/A
	450	2.18	N/A
	600	3.24	N/A



Product tested	110mm SOUDATRANSIT P FR with single 12mm cable through AES Fibre $\geq$ 128kg/m <sup>3</sup>		
Summary of testing procedure			Result
	Pressure (Pa)	Leakage (m <sup>3</sup> /h)	Leakage (m <sup>3</sup> /m <sup>2</sup> /h)
Results under negative chamber pressure	25	0.14	N/A
	50	0.24	N/A
	100	0.4	N/A
	200	0.63	N/A
	300	1.4	N/A
	450	1.97	N/A
	600	2.72	N/A
Results under positive chamber pressure	25	0.05	N/A
	50	0.13	N/A
	100	0.36	N/A
	200	0.75	N/A
	300	1.5	N/A
	450	2.64	N/A
	600	3.6	N/A



Product tested	110mm SOUDATRANSIT P FR with 50mm bundle 12mm cables through AES Fibre $\geq 128\text{kg/m}^3$		
Summary of testing procedure			Result
	Pressure (Pa)	Leakage ( $\text{m}^3/\text{h}$ )	Leakage ( $\text{m}^3/\text{m}^2/\text{h}$ )
Results under negative chamber pressure	25	0.35	N/A
	50	0.47	N/A
	100	0.72	N/A
	200	1.38	N/A
	300	2.52	N/A
	450	3.53	N/A
	600	4.27	N/A
Results under positive chamber pressure	25	0.14	N/A
	50	0.26	N/A
	100	0.66	N/A
	200	1.3	N/A
	300	2.46	N/A
	450	3.89	N/A
	600	4.8	N/A



Product tested	110mm SOUDATRANSIT P FR with 80mm bundle 12mm cables through AES Fibre ≥ 128kg/m <sup>3</sup>		
Summary of testing procedure			Result
	Pressure (Pa)	Leakage (m <sup>3</sup> /h)	Leakage (m <sup>3</sup> /m <sup>2</sup> /h)
Results under negative chamber pressure	25	1.43	N/A
	50	2.29	N/A
	100	3.84	N/A
	200	6.51	N/A
	300	9	N/A
	450	11.6	N/A
	600	14.15	N/A
Results under positive chamber pressure	25	1.43	N/A
	50	1.87	N/A
	100	3.59	N/A
	200	6.19	N/A
	300	8.63	N/A
	450	11.7	N/A
	600	14.43	N/A

